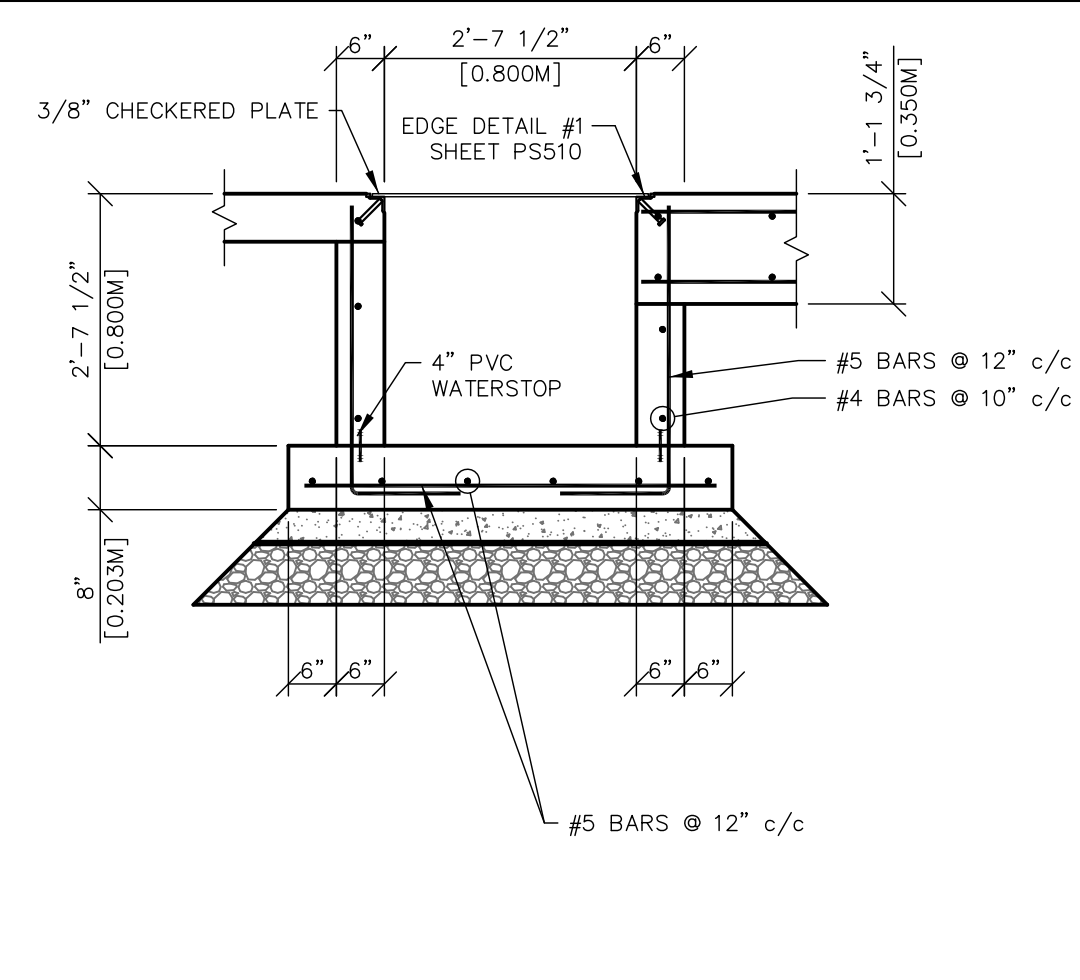
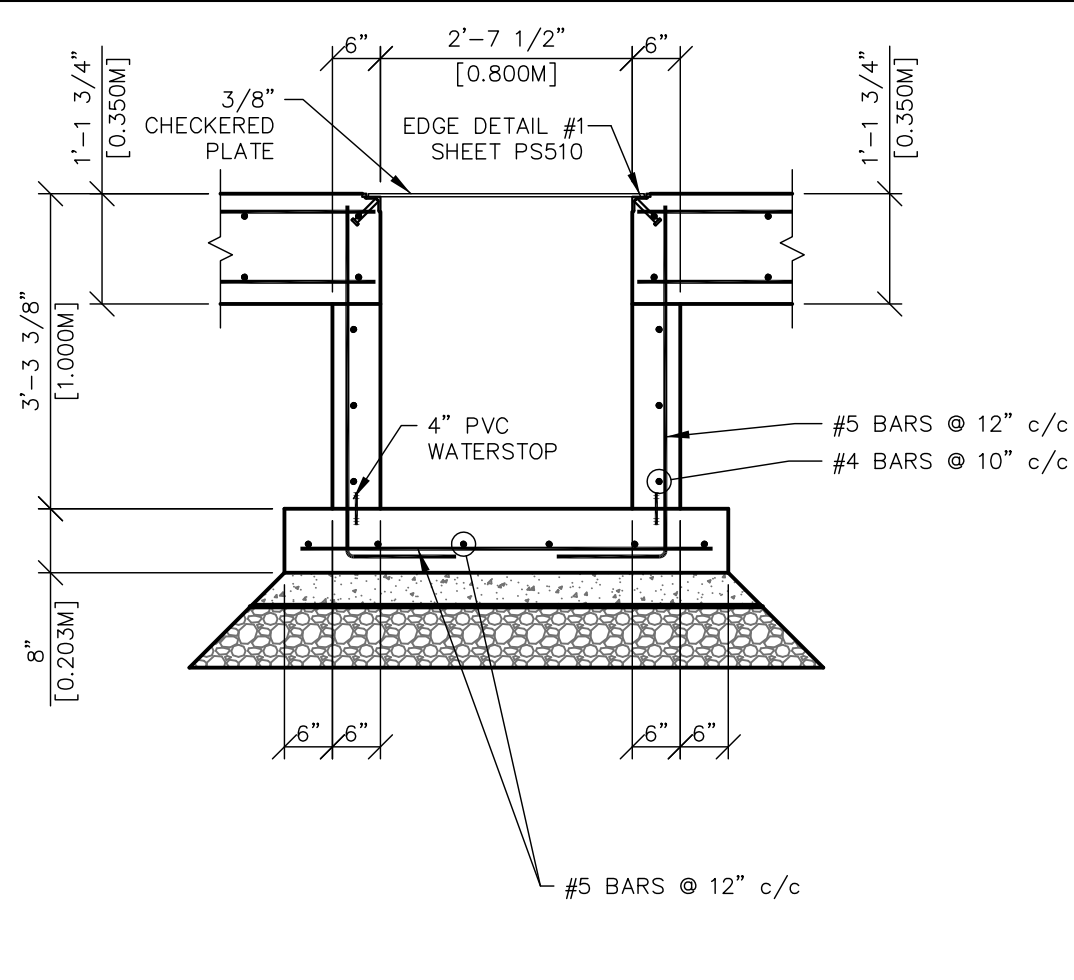


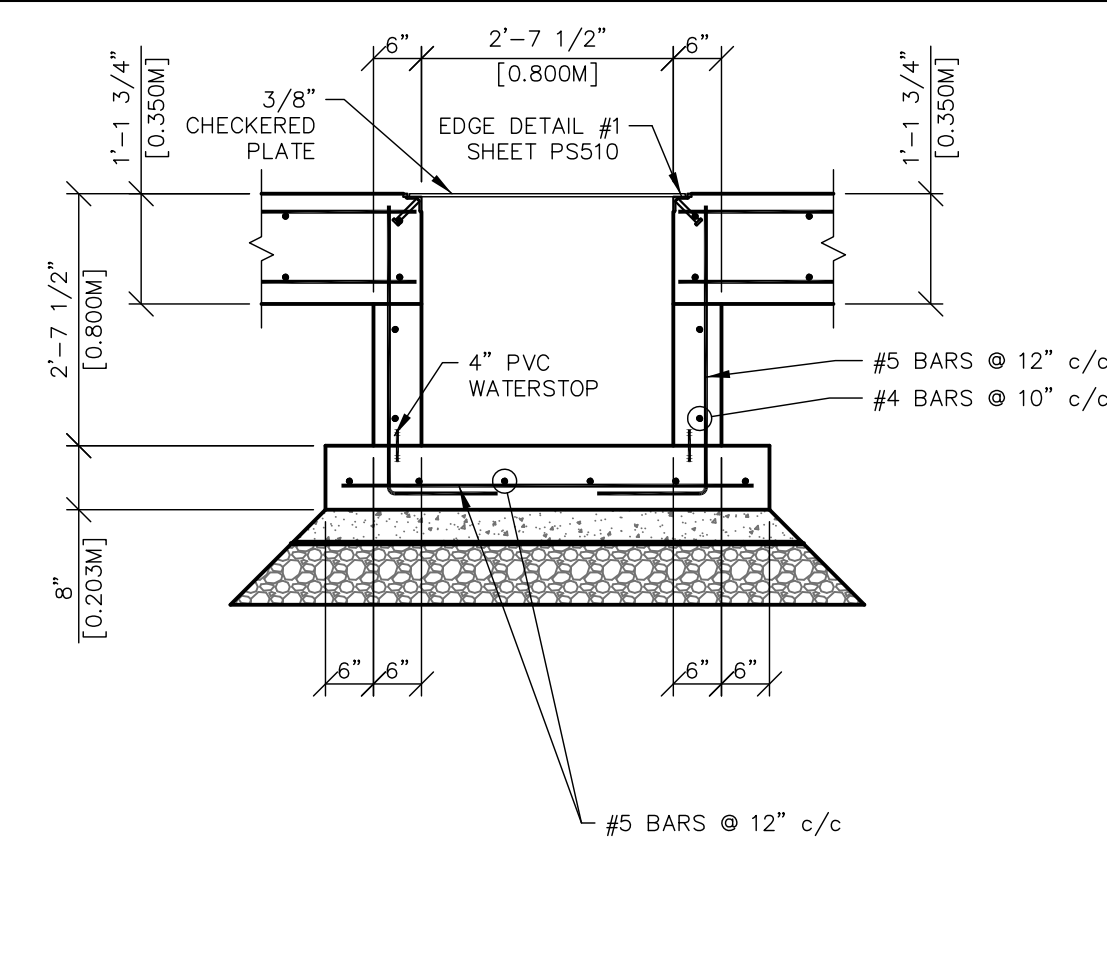
1 SECTION
PS513 TOO



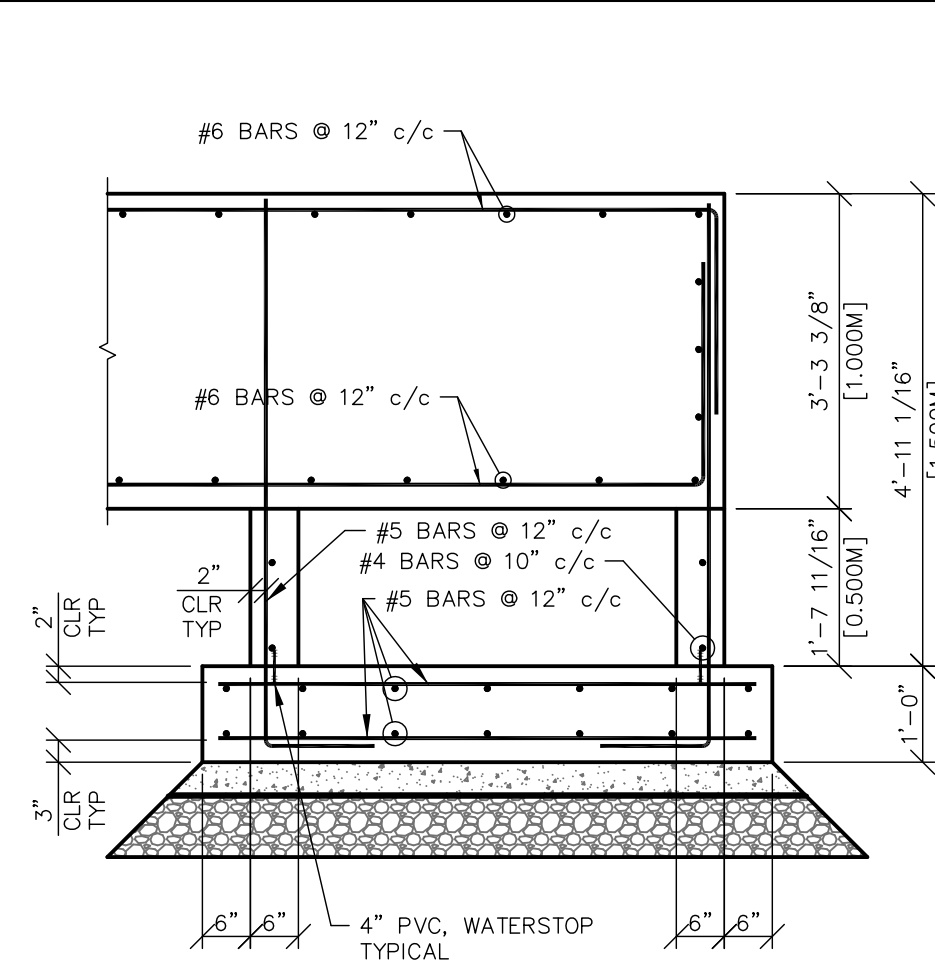
2 SECTION
PS513 PRS, TU1



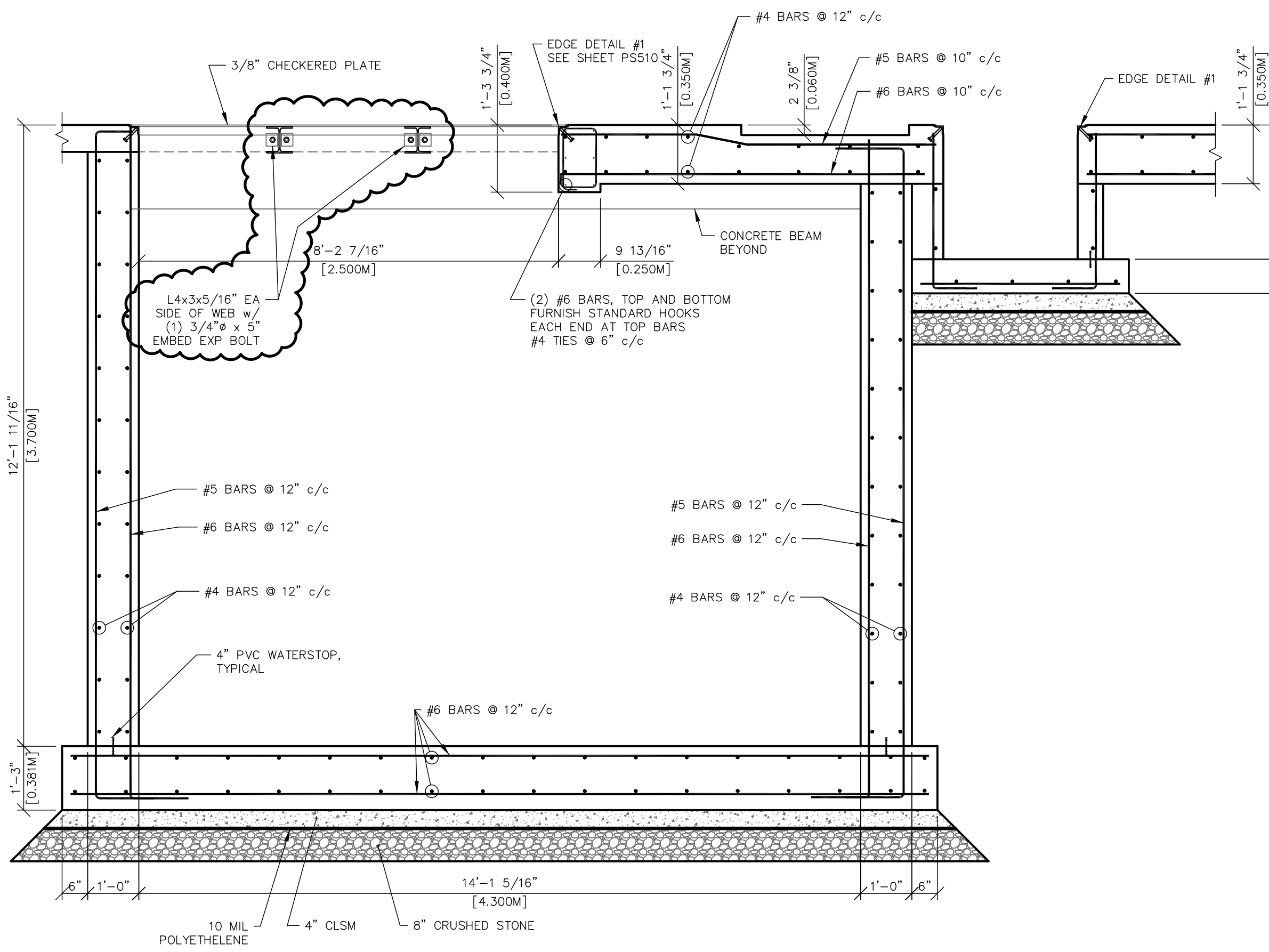
3 SECTION
PS513 TOO



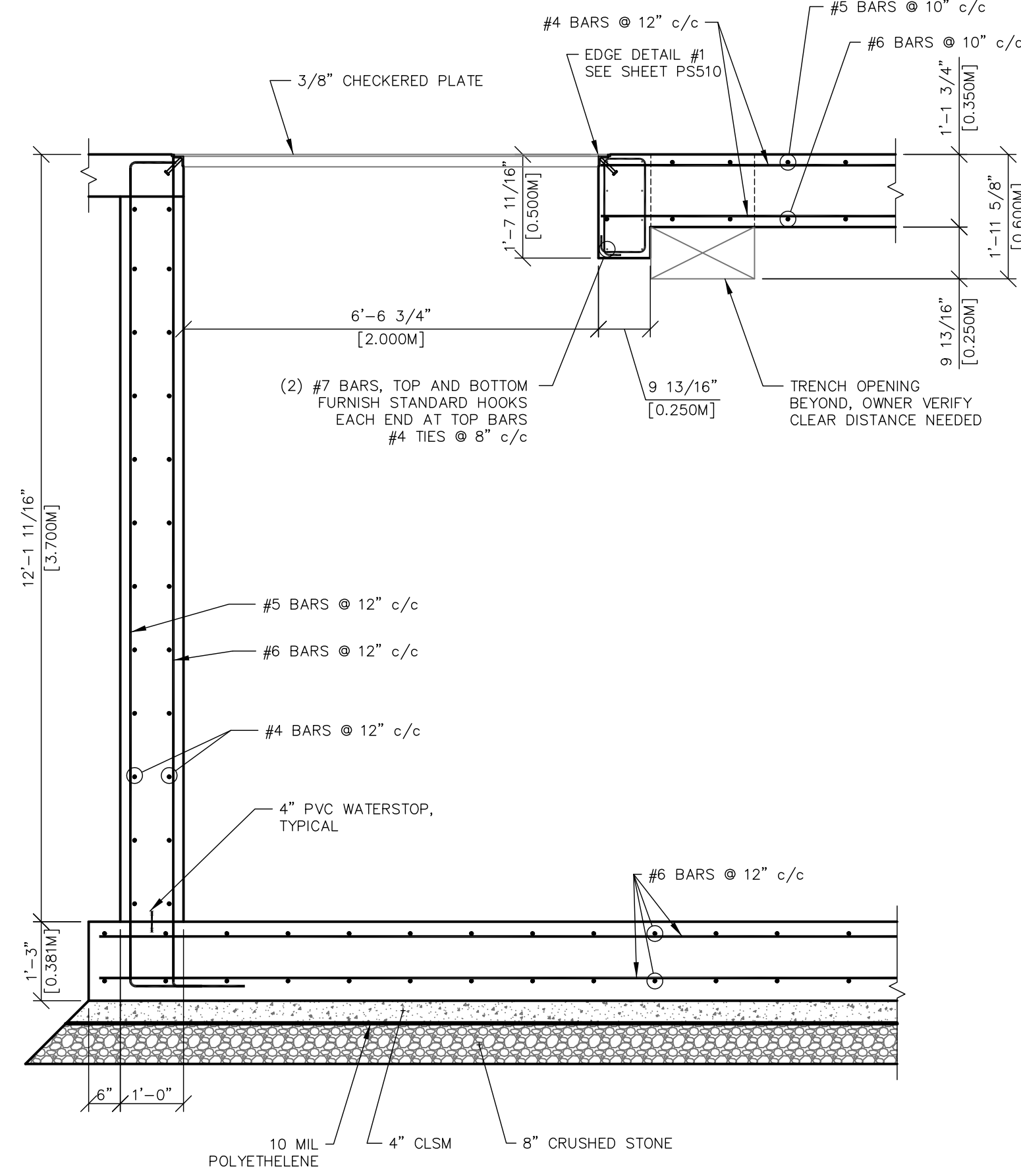
4 SECTION
PS513 TOO



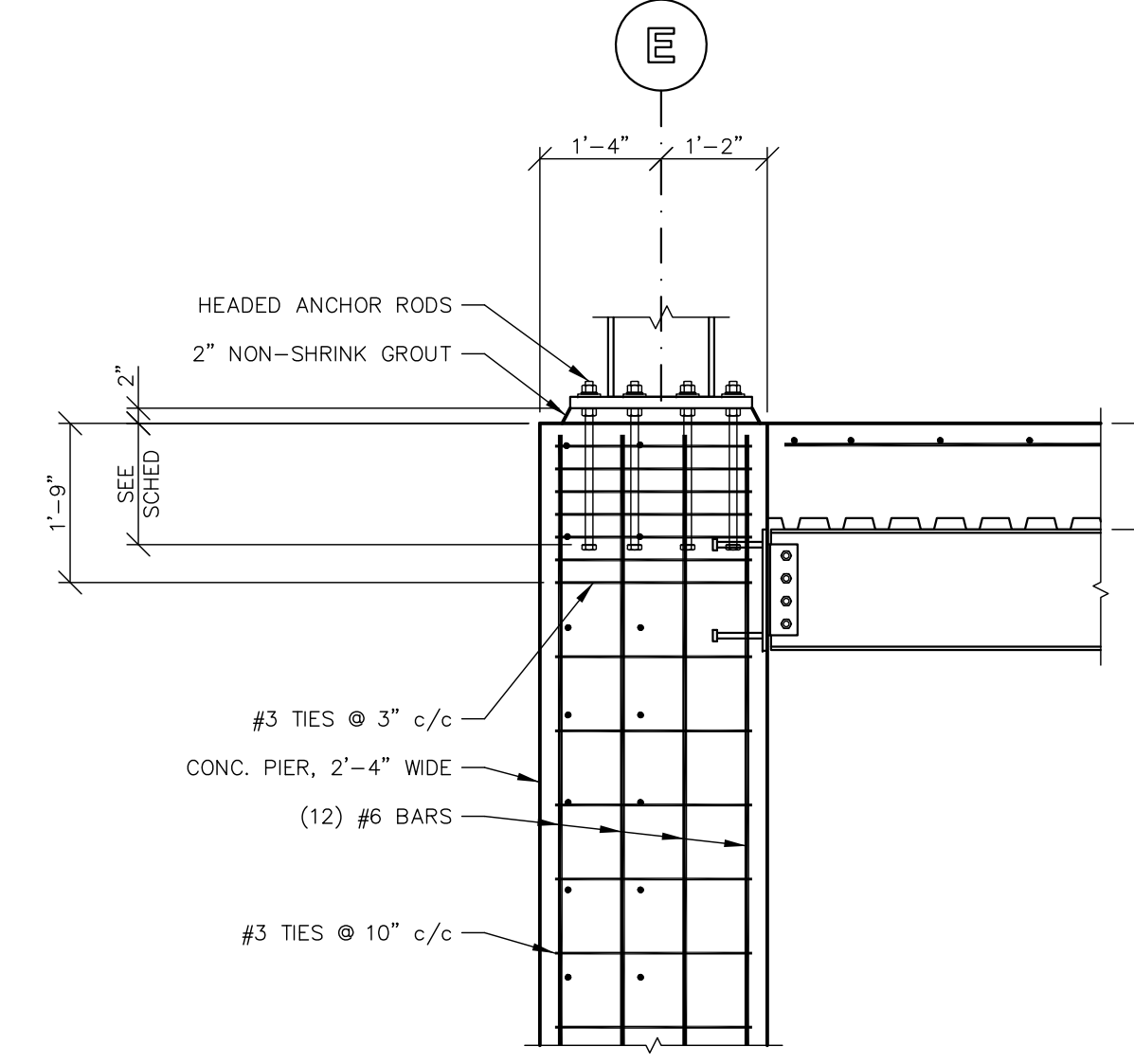
5 SECTION
PS513 MAIN EXTRUDER AT TRENCH



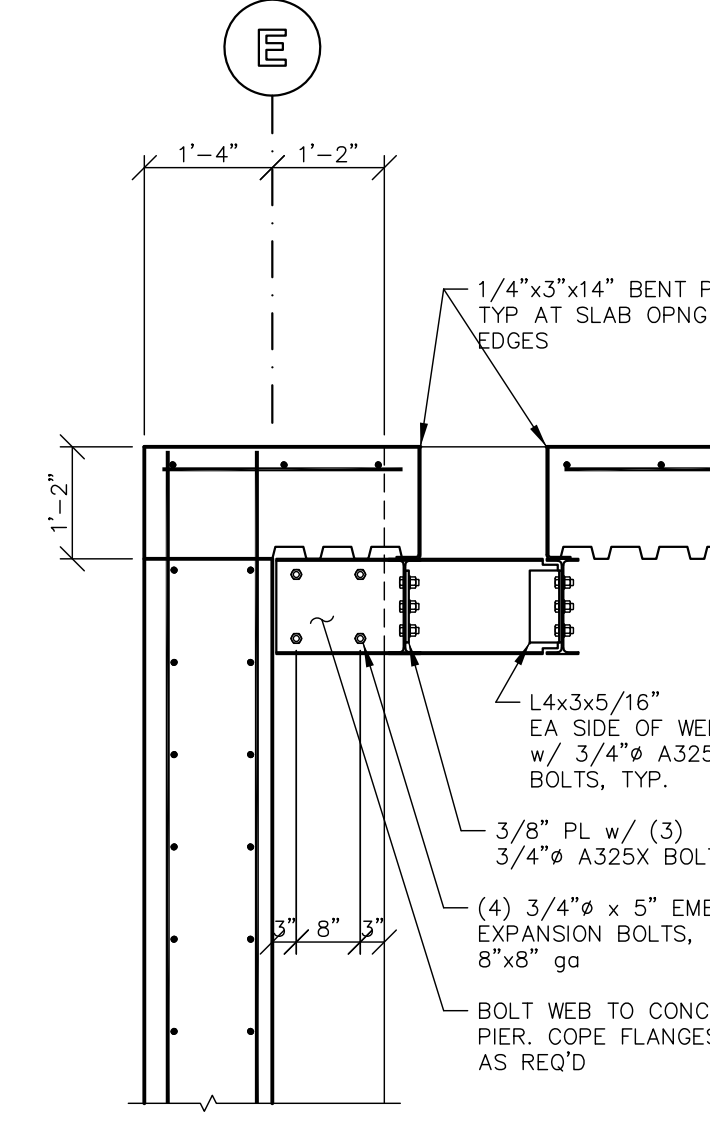
6 SECTION
PS513 CAST GRANULATOR



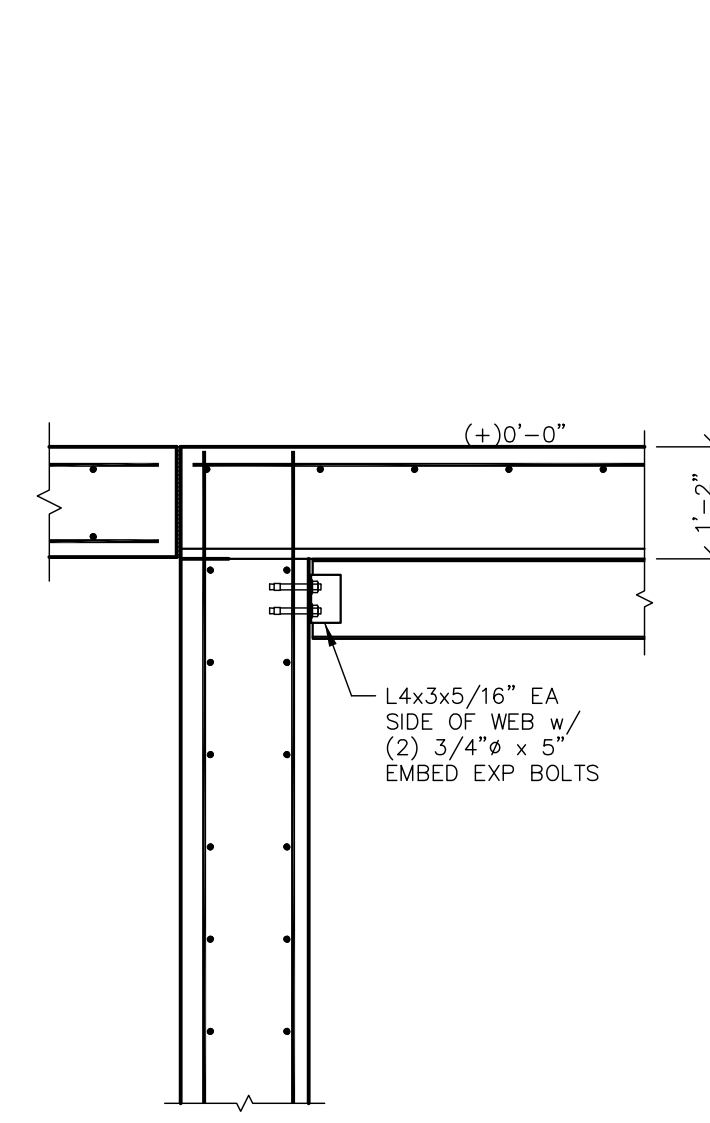
7 SECTION
PS513 CAST GRANULATOR



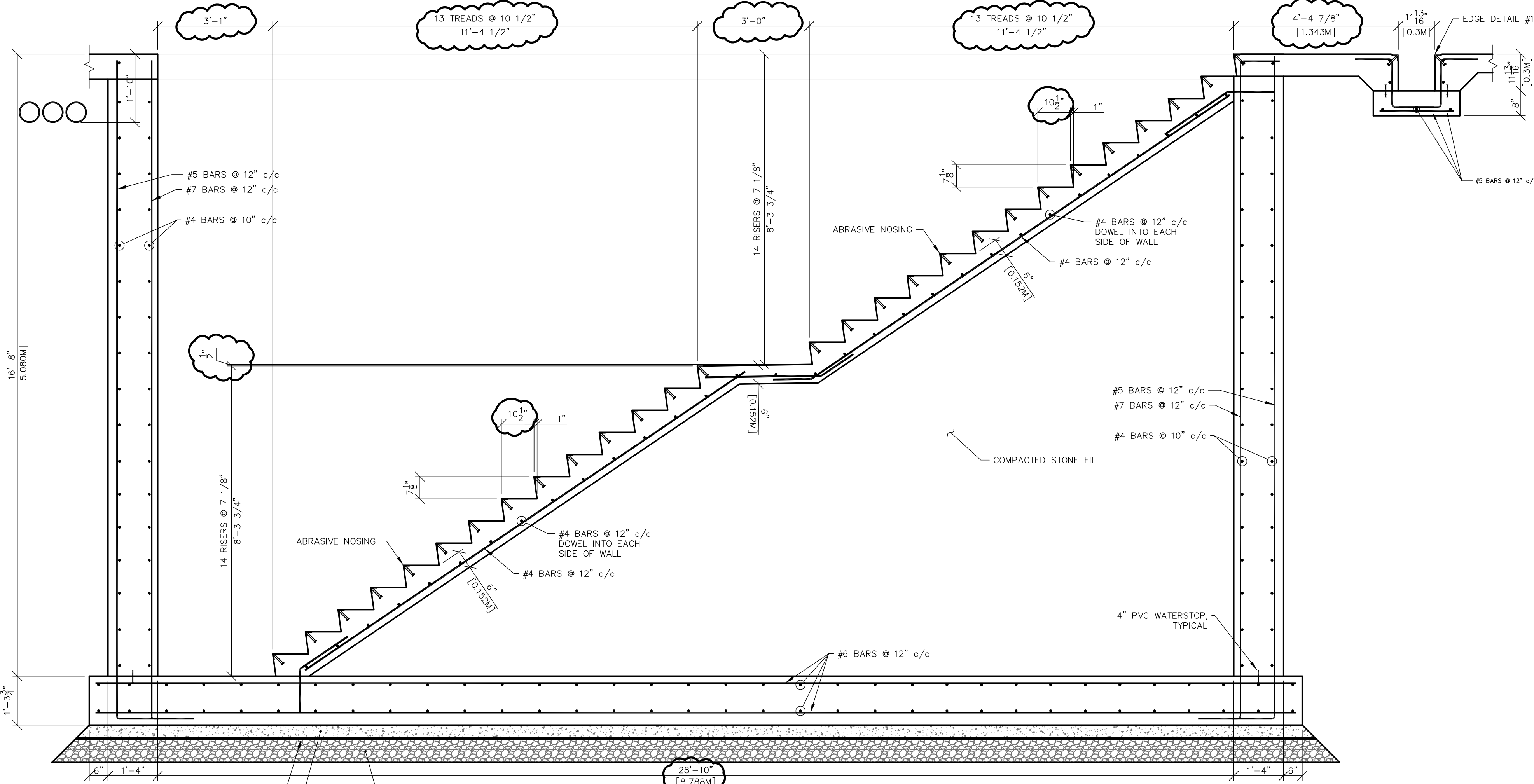
9 SECTION
PS513 RECYCLE PIT



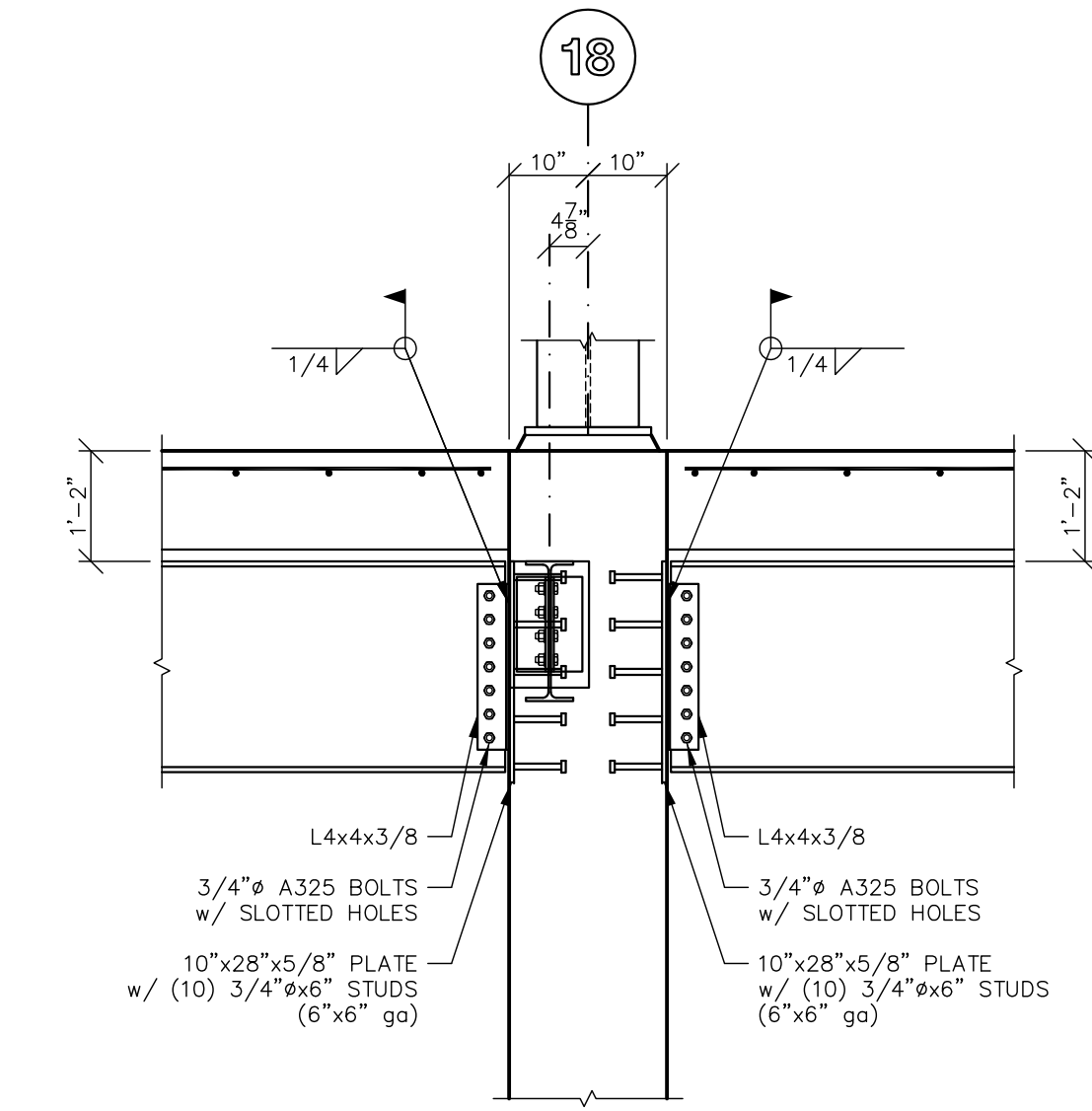
10 SECTION
PS513 RECYCLE PIT



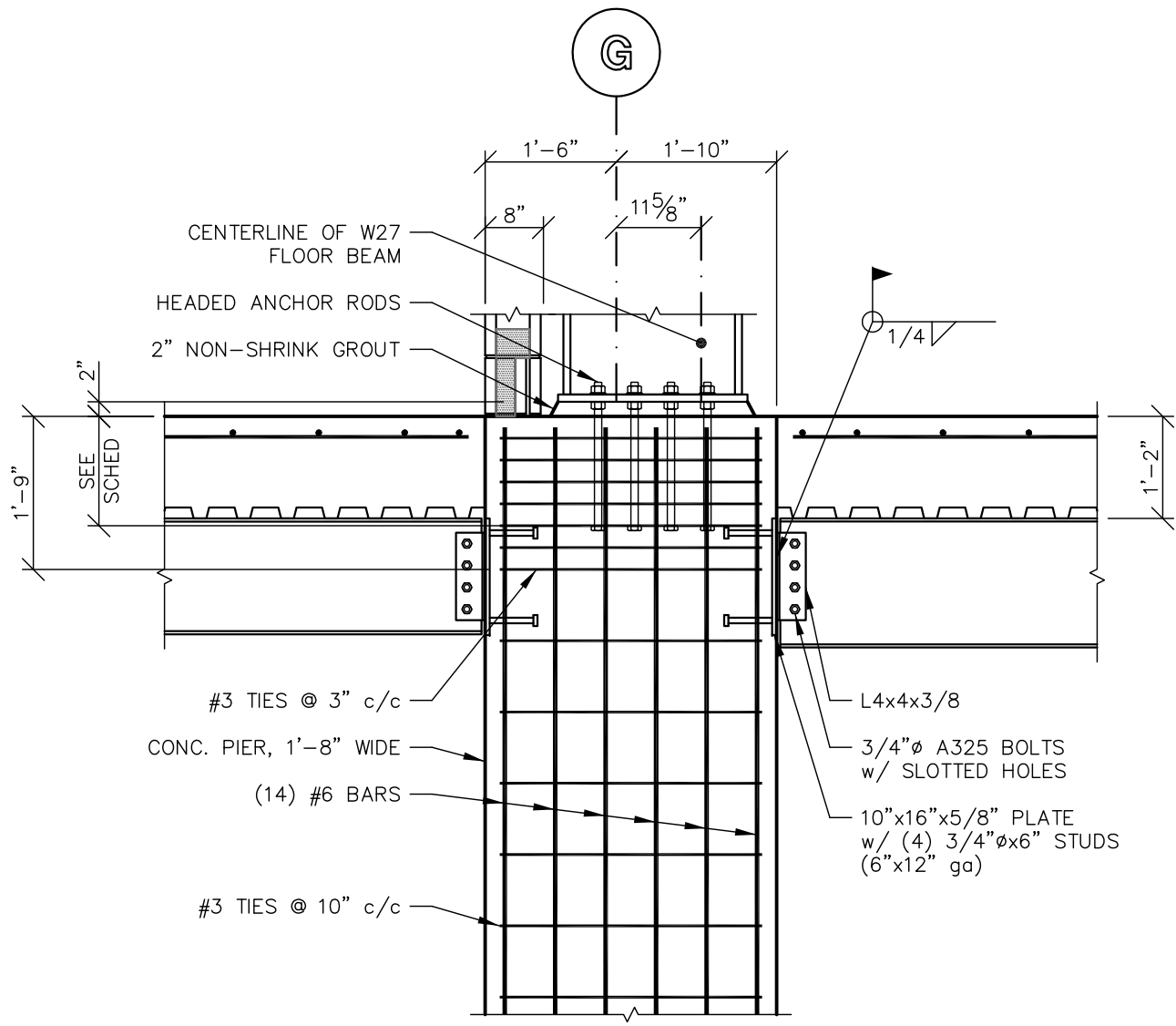
11 SECTION
PS513 RECYCLE PIT



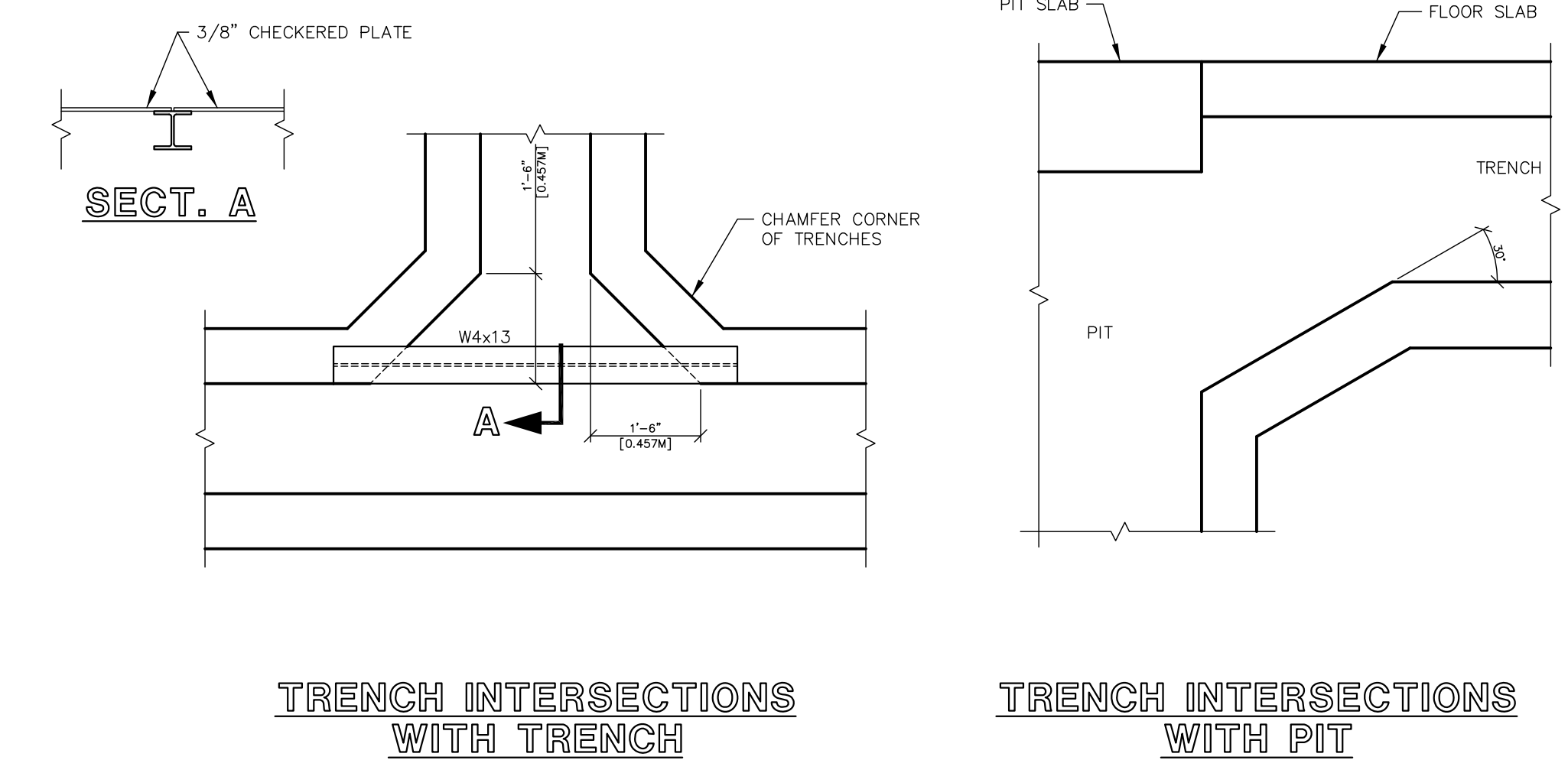
8 SECTION
PS513 RECYCLE PIT STAIRS



12 SECTION
PS513 RECYCLE PIT

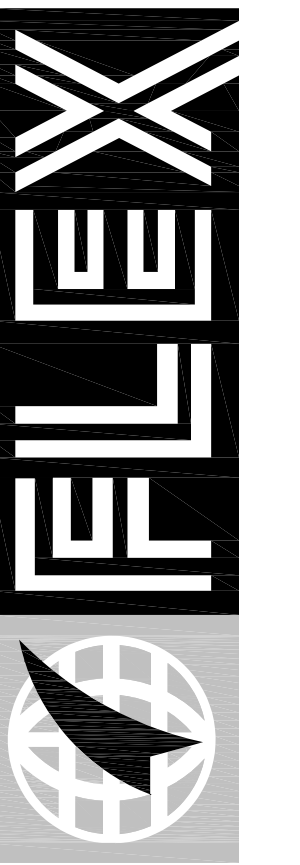


13 SECTION
PS513 RECYCLE PIT



TYP. DETAILS

EQUIPMENT FOUNDATION SECTIONS



FLEX FILMS (USA) INC.
1221 NORTH BLACK BRANCH ROAD
ELIZABETHTOWN, KENTUCKY 42702

PROJECT L-12 BOPET U.S.A.

DATE	BY	REVISION
01-04-11	97 EPH	REVISION NUMBER ONE
01-04-11	97 EPH	REVISION NUMBER TWO
01-04-11	97 EPH	REVISION NUMBER THREE

PROJECT NO. 9529-02
DESIGNED BY EPH
DRAWN BY GPT EPH
CHECKED BY FH
REVIEWED BY
DATE JULY 2011
SCALE AS NOTED

nse
OF KENTUCKY, INC.
Engineers
Architects
Planners

DRAWING NO.
UFL-L12
PS-513